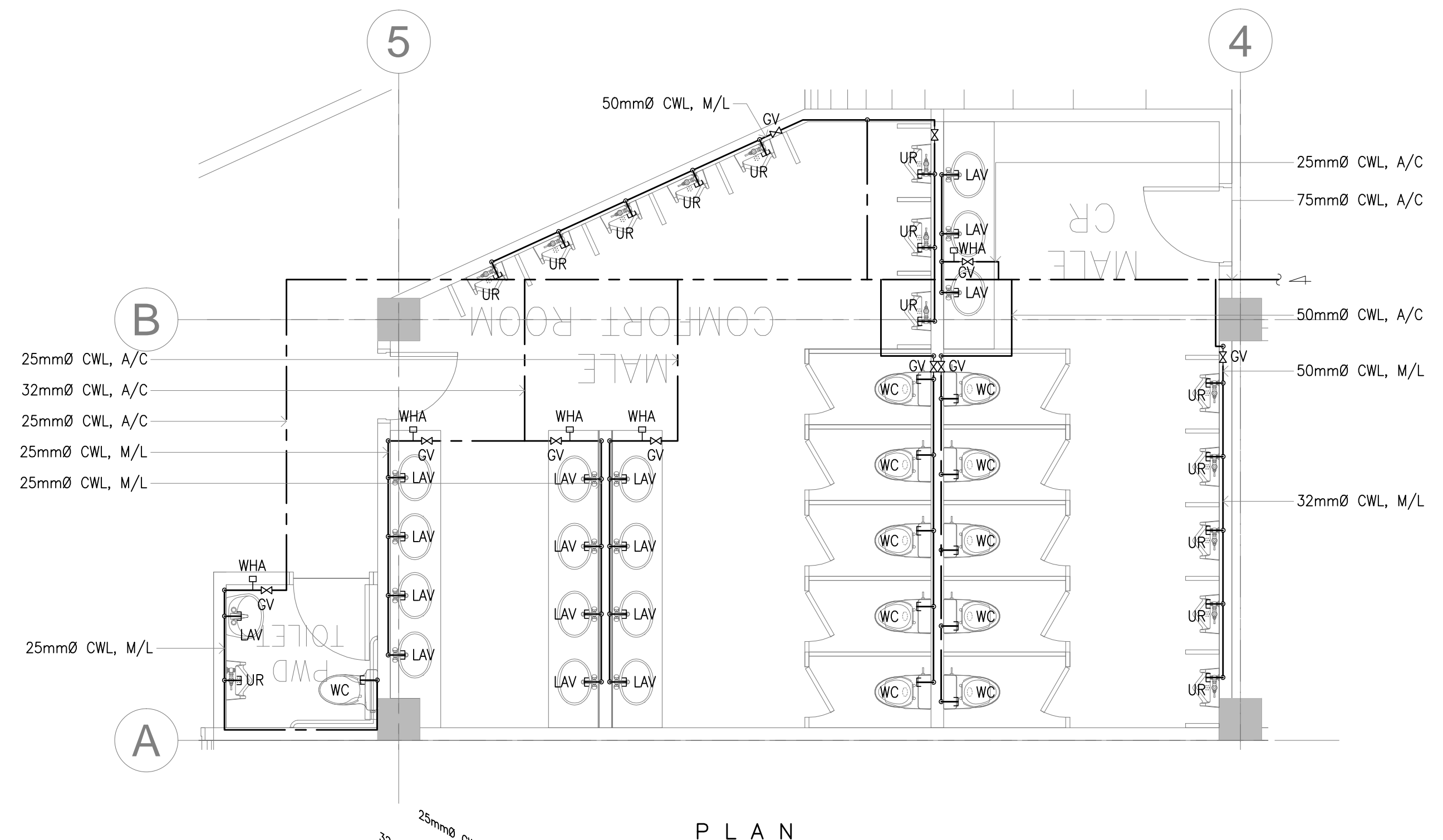
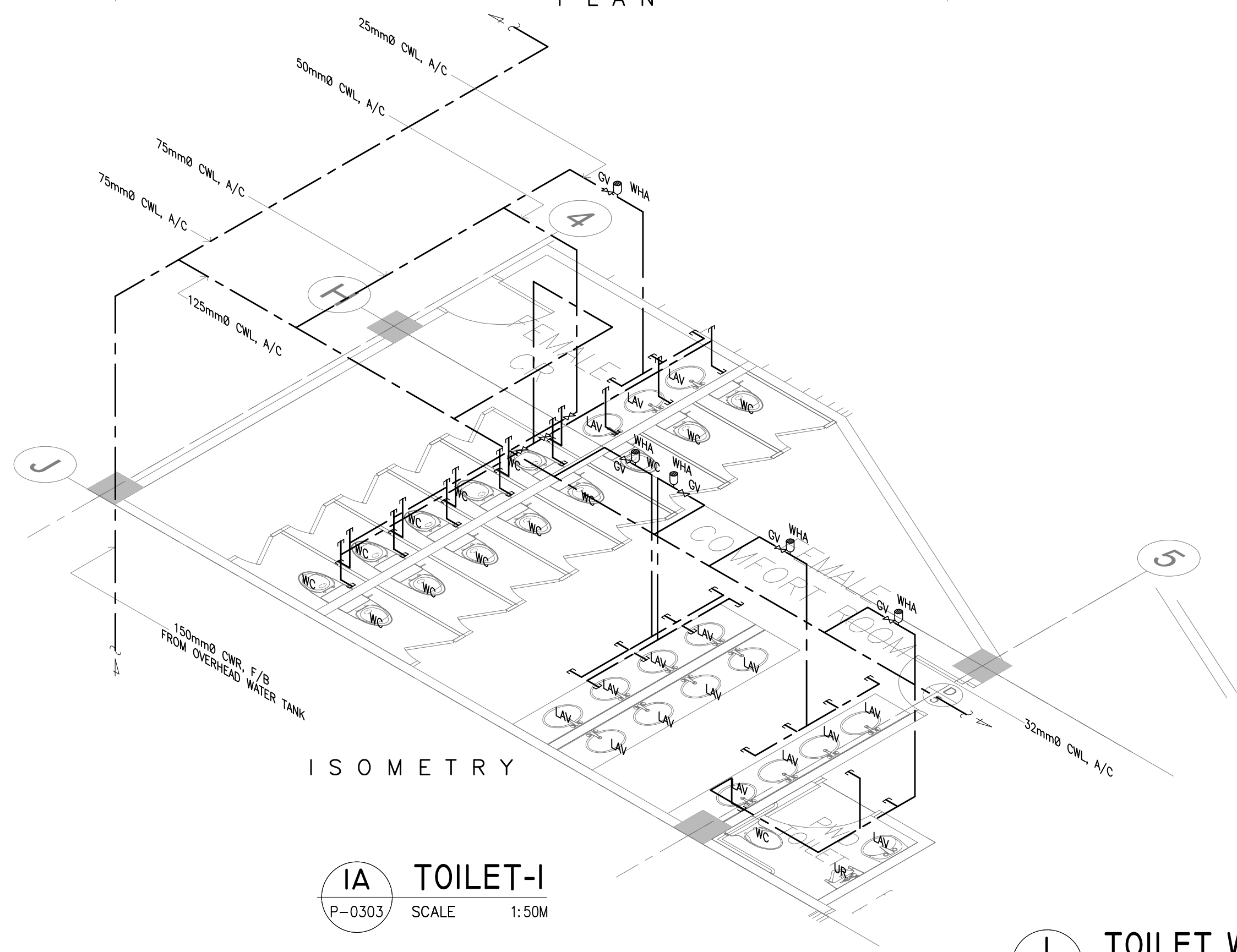


PLAN

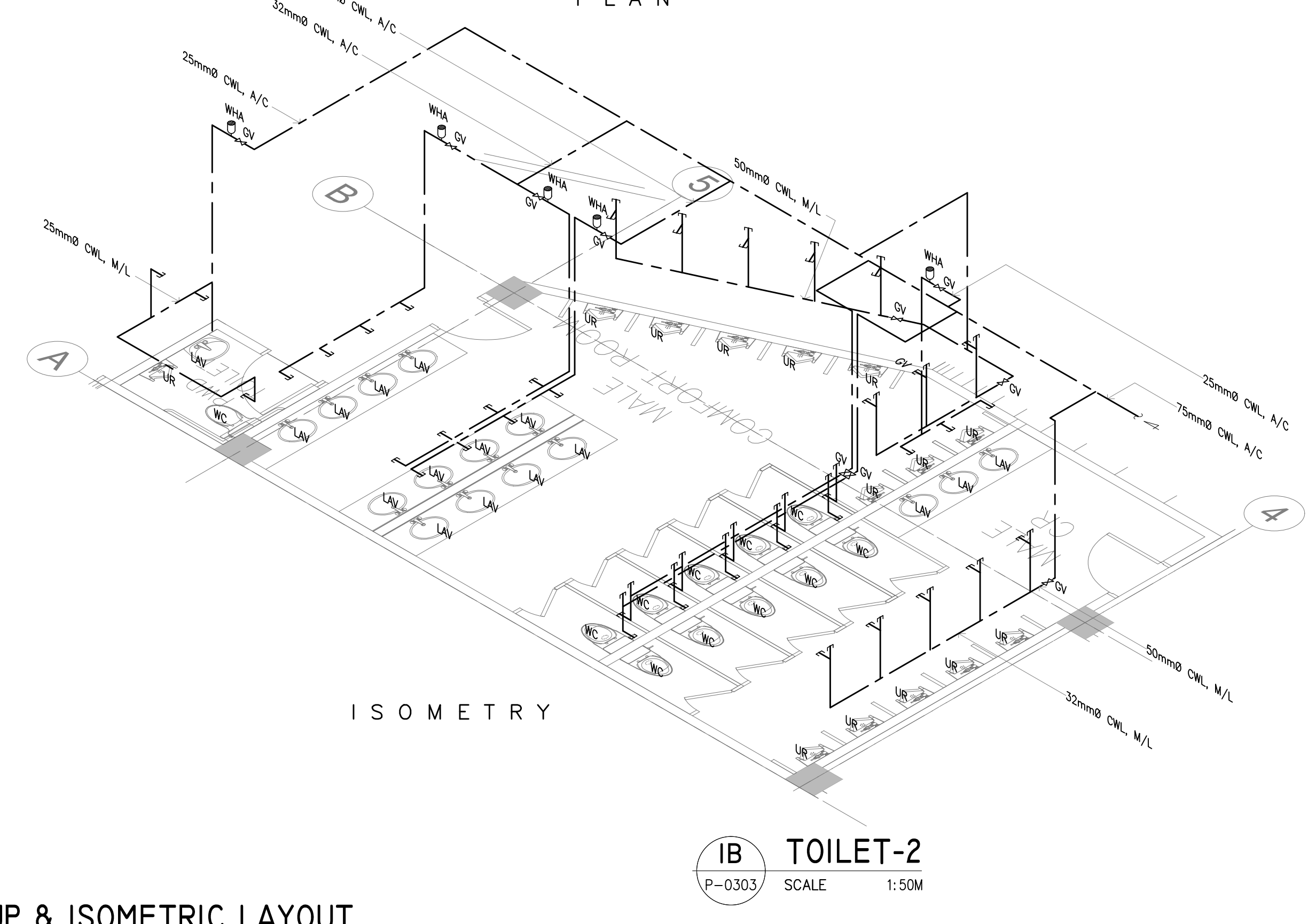


PLAN



ISOMETRY

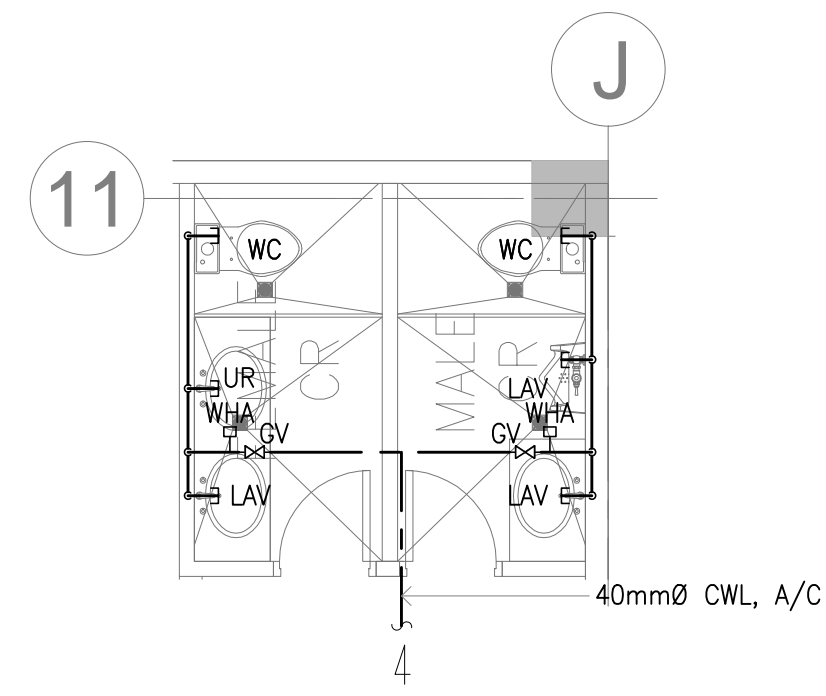
IA TOILET-1
P-0303 SCALE 1:50M



ISOMETRY

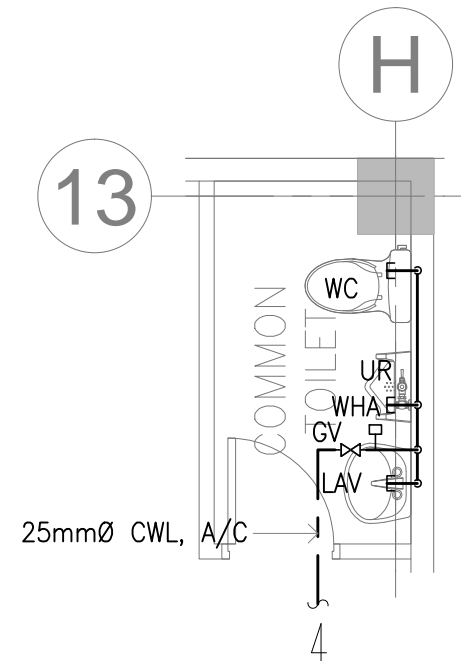
IB TOILET-2
P-0303 SCALE 1:50M

I TOILET WATERLINE BLOW-UP & ISOMETRIC LAYOUT
P-0303 SCALE 1:50M



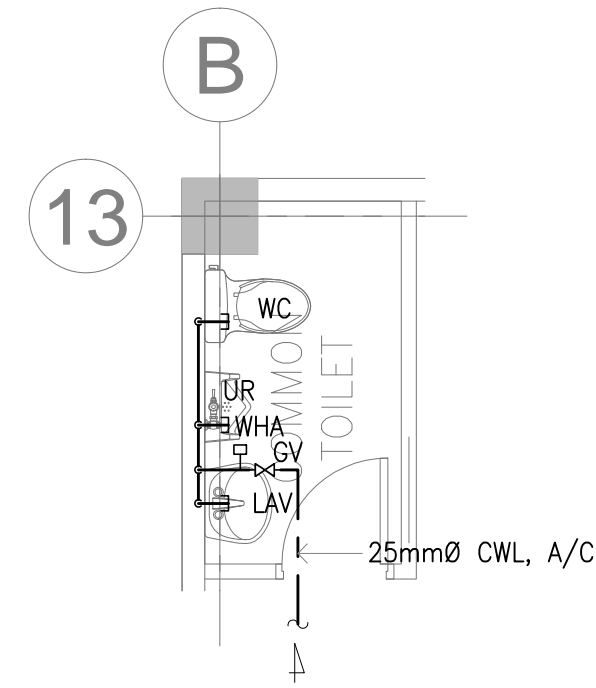
PLAN

IA TOILET-3
P-0304 SCALE 1:50M



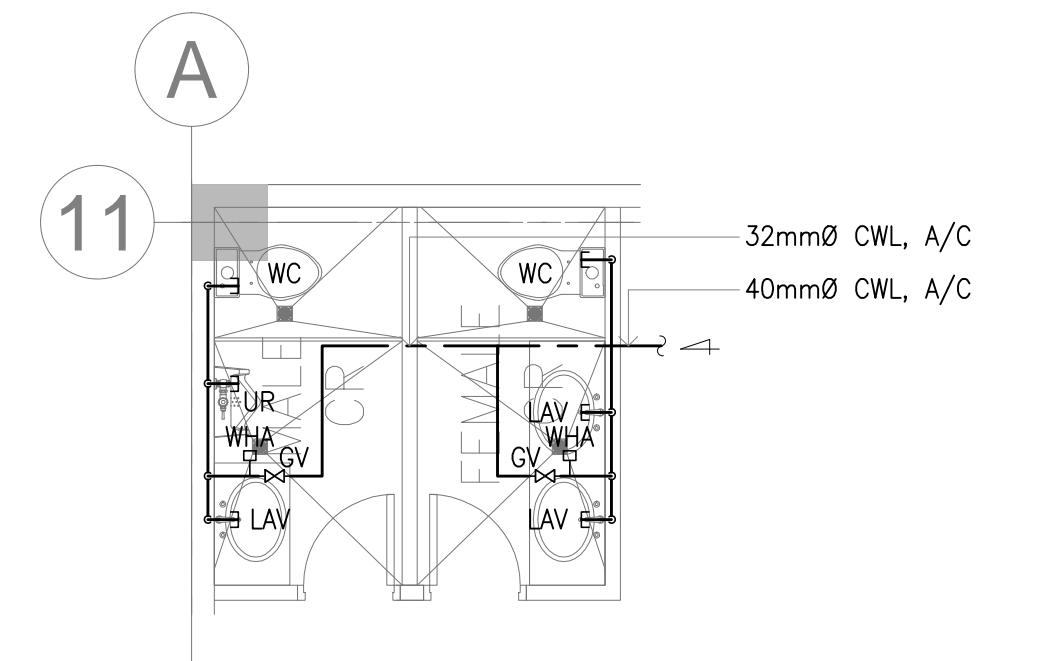
PLAN

IB TOILET-4
P-0304 SCALE 1:50M



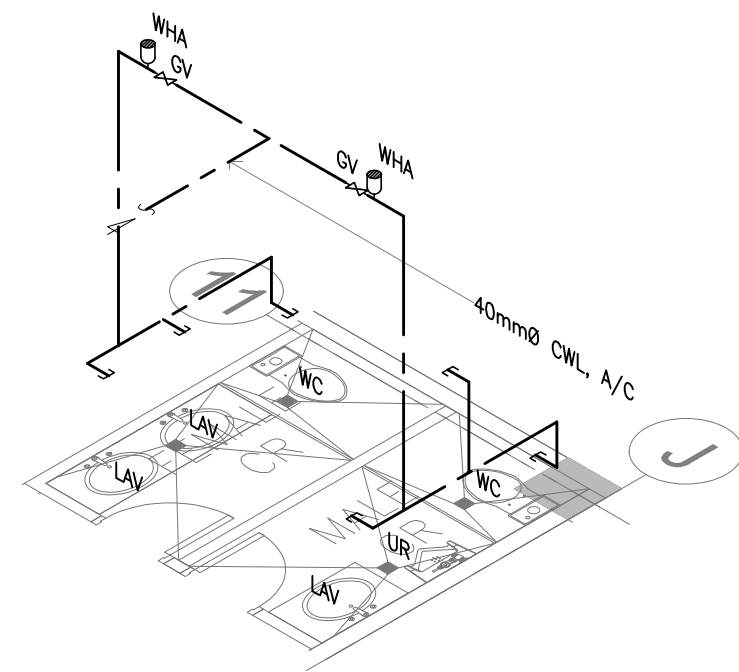
PLAN

IC TOILET-5
P-0304 SCALE 1:50M

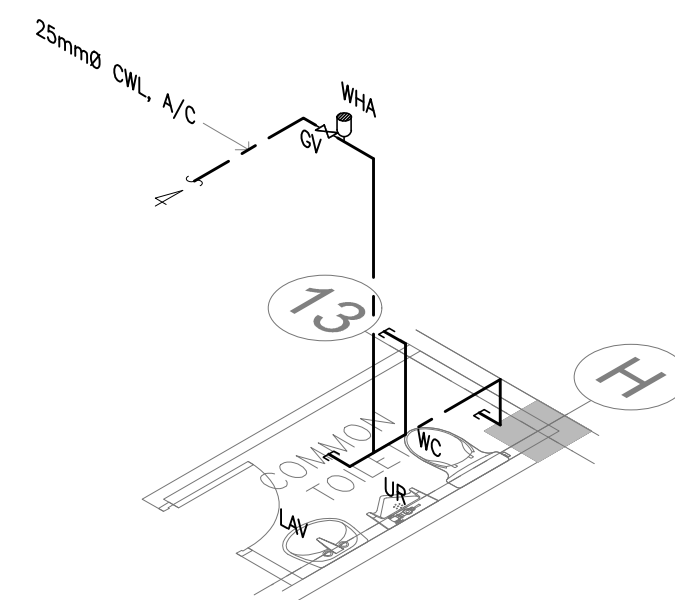


PLAN

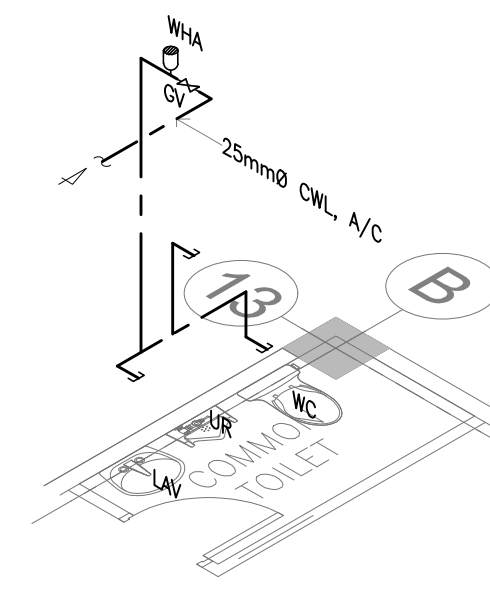
ID TOILET-6
P-0304 SCALE 1:50M



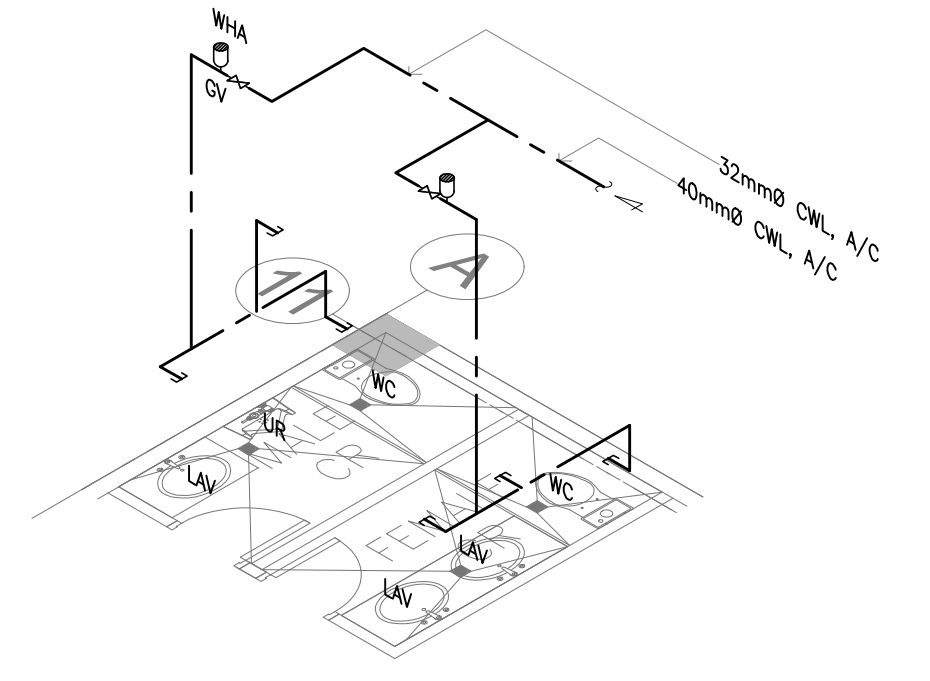
ISOMETRY



ISOMETRY

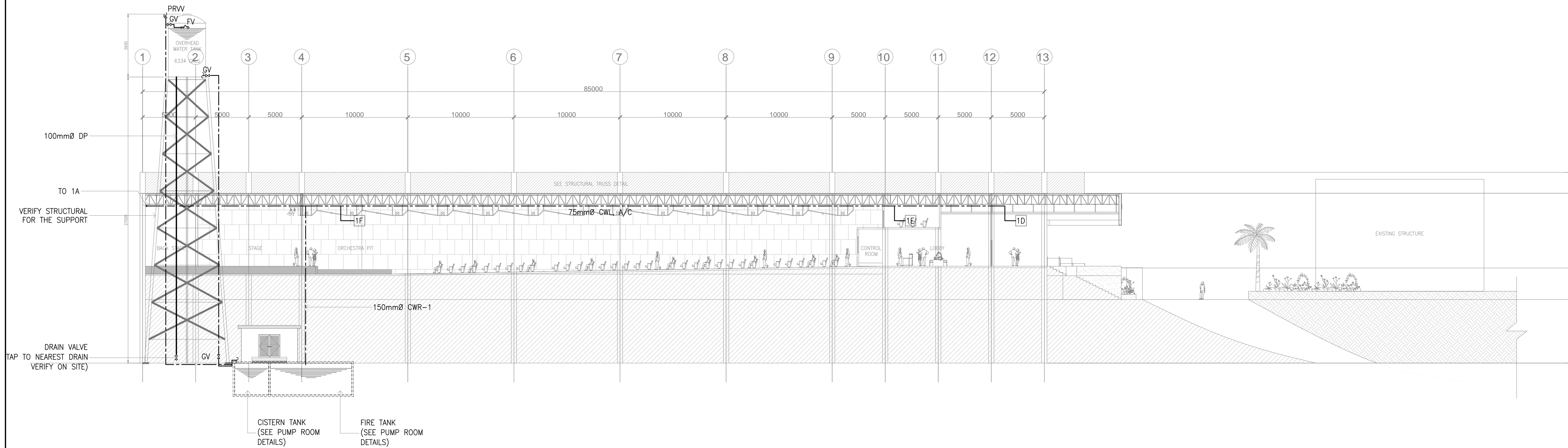


ISOMETRY



ISOMETRY

I TOILET WATERLINE BLOW-UP & ISOMETRIC LAYOUT
P-0304 SCALE 1:50M



I WATER SUPPLY SCHEMATIC RISER DIAGRAM
 P-0501 SCALE 1:200M